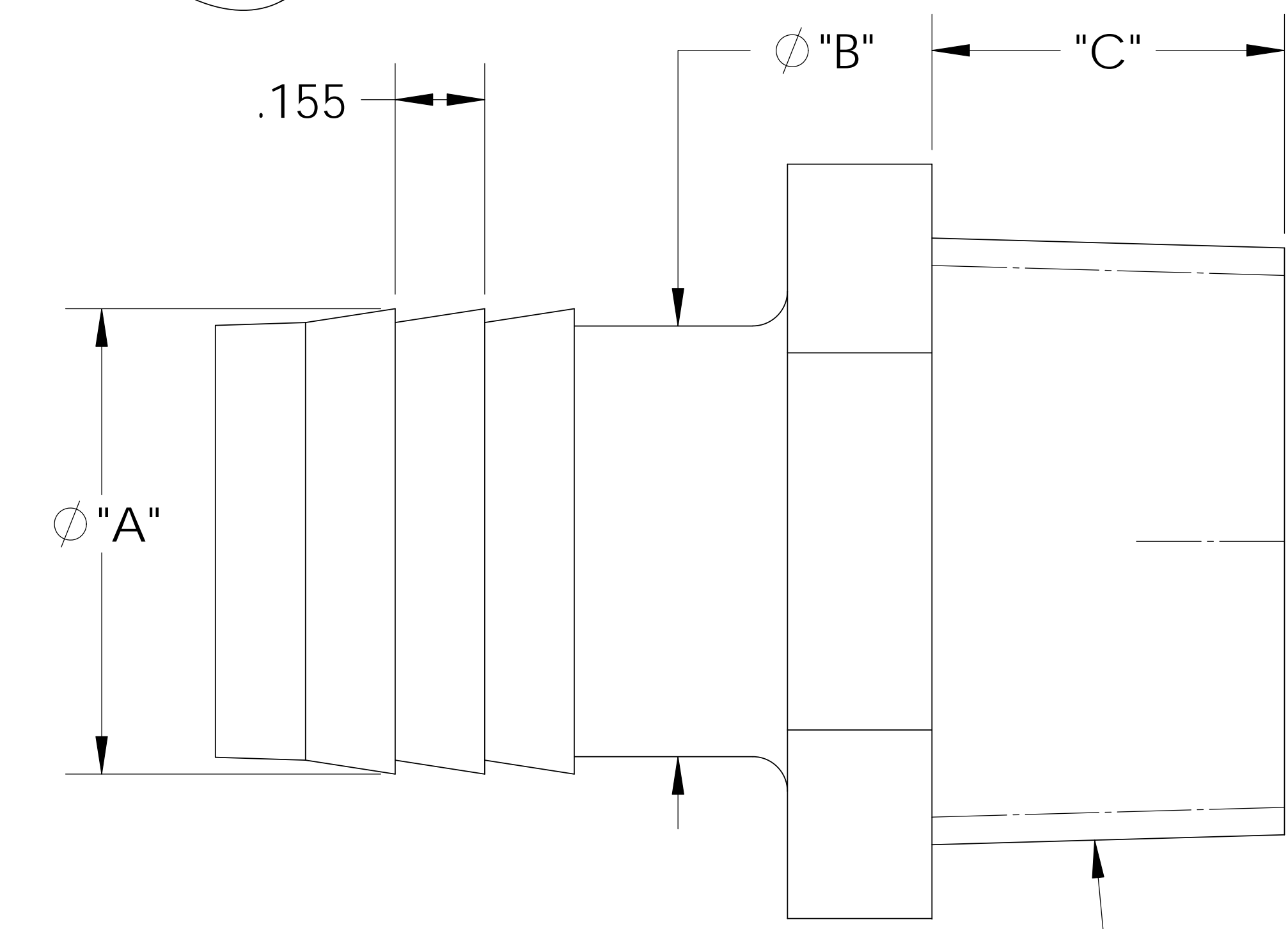
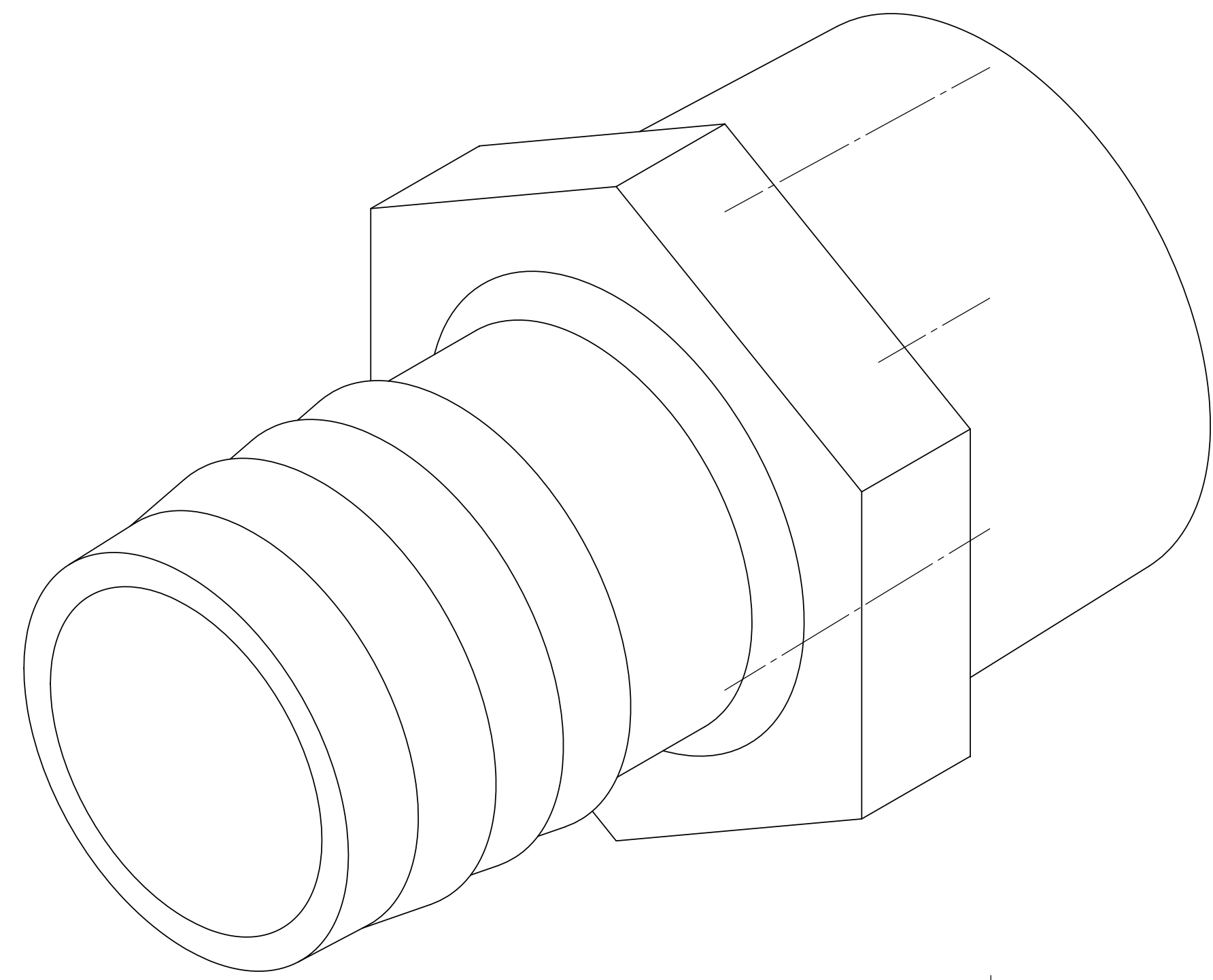
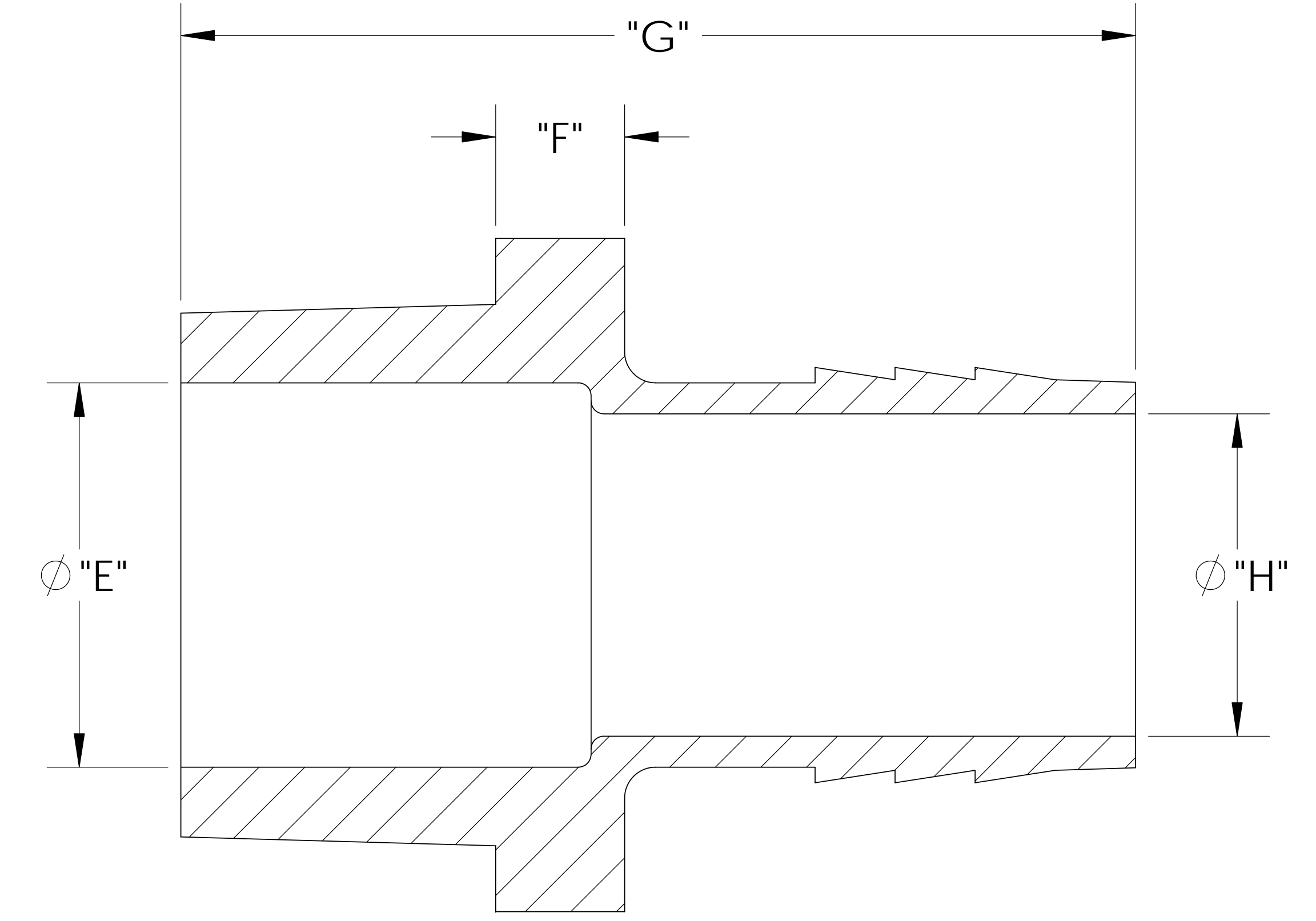
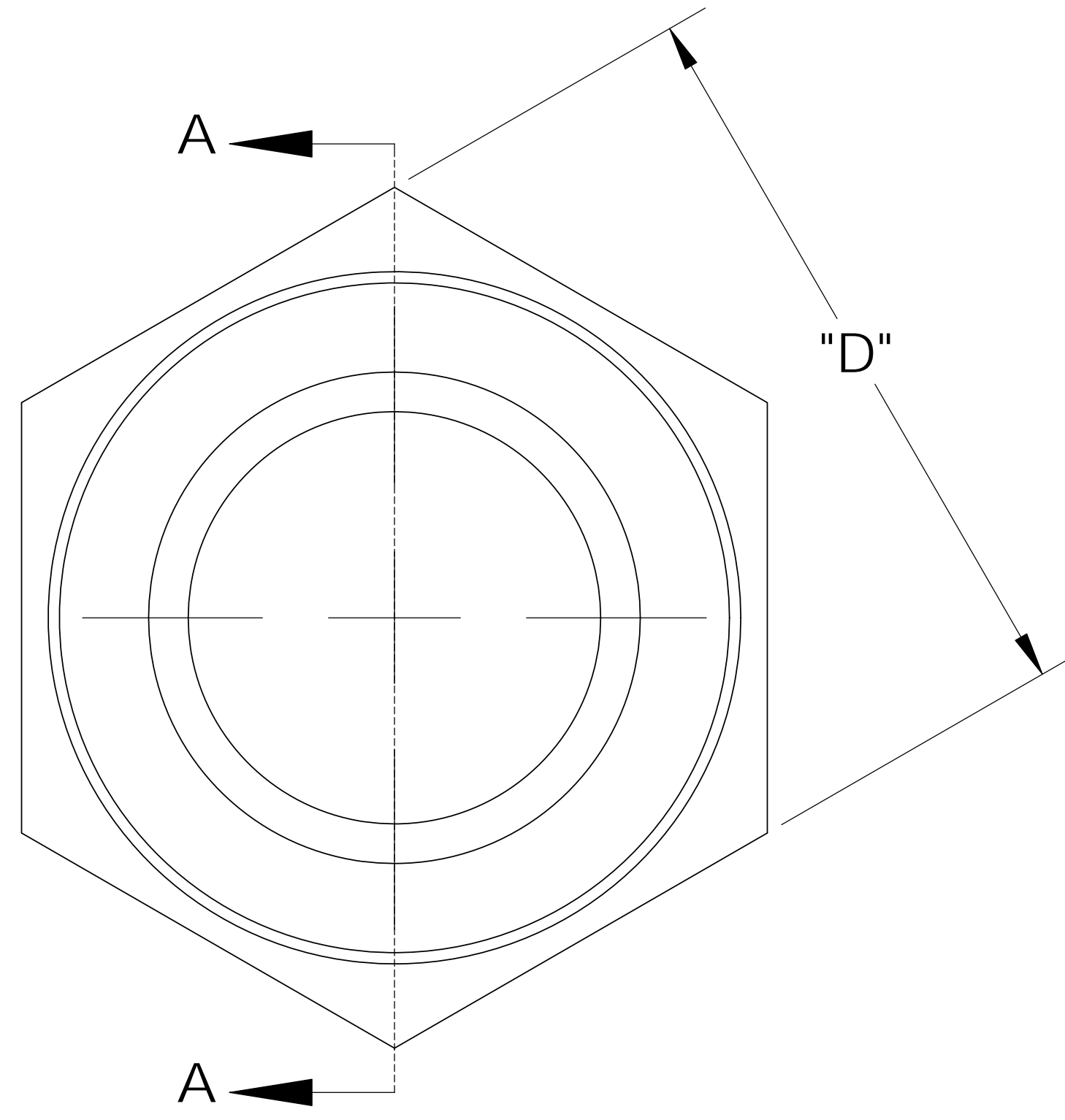


UNCONTROLLED IF PRINTED; CONTROLLED COPY LOCATED IN IQMS DOCUMENT CONTROL



MALE 3/4"-14 NPT



SECTION A-A

CATALOG NO.	DESCRIPTION	MATERIAL	DIM "A"	DIM "B"	DIM "C"	DIM "D"	DIM "E"	DIM "F"	DIM "G"	DIM "H"
TA101212/PP	3/4" NPT X 3/4" PP	POLYPROPYLENE	.795	.740	.61	1.13	.735	.250	1.84	.615
TA101212/P	3/4" NPT X 3/4" P	POLYETHYLENE	.795	.745	.60	1.10	.710	.245	1.80	.605
TA101212/N	3/4" NPT X 3/4" N	NYLON	.805	.745	.61	1.13	.745	.250	1.85	.625

SHOWN

NOTES:
 1) POLYPROPYLENE HAS COLOR OPTIONS:
 BLACK = TA101212/PPB
 NATURAL = TA101212/PPN

PROPRIETARY AND CONFIDENTIAL
 THE INFORMATION CONTAINED IN THIS DRAWING IS THE SOLE PROPERTY OF THOGUS PRODUCTS COMPANY. ANY REPRODUCTION IN PART OR AS A WHOLE WITHOUT THE WRITTEN PERMISSION OF THOGUS PRODUCTS COMPANY IS PROHIBITED.

REV	WRO#	DESCRIPTION
	C	95.00072 CONVERTED TO 3D FORMAT
HISTORY		

UNLESS OTHERWISE SPECIFIED:
 DIMENSIONS ARE IN INCHES
 TOLERANCES:
 ANGULAR: ±0.5°
 X.X = ± 0.1
 X.XX = ± 0.05
 X.XXX = ± 0.015
 REMOVE ALL SHARP EDGES AND BURRS
 BLEND ALL RADII TO 0.01IN
 INTERPRET GEOMETRIC TOLERANCING PER: ANSI Y 14.5 1994
 MATERIAL: PP, P, N
 FINISH: NA
 THIRD ANGLE PROJECTION:

	NAME	DATE
DRAWN	JRM	03/18/11
CHECKED	KDJ	03/18/11
ENG APPR.	JM	03/19/11
MFG APPR.	ML	3/19/11
Q.A.	NJW	3/19/11

33490 PIN OAK, AVON LAKE, OH 44012

TITLE: **3/4" NPT X 3/4" BARB ADAPTER**

SIZE B	DWG. NO. TA101212	REV C
SCALE: 2:1	MASS:	SHEET 1 OF 1

DO NOT SCALE DRAWING